

## Product description

### MAXP Series

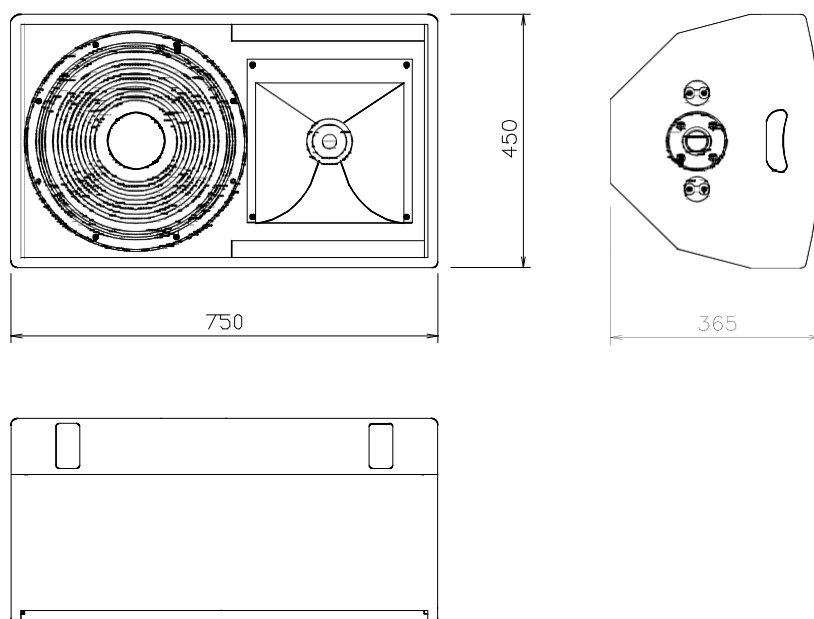
# MAXP-S, 2Way, passive loudspeaker

The MAXP Senior is a compact two-way passive system that employs a single AP-15" low frequency driver mounted in a B-6 type vented enclosure. The high frequency unit is a one-inch ferro fluid cooled driver coupled to a 40°/90°X60° AP asymmetrical horn. The system incorporates a low loss passive filter designed for flat frequency response and optimal phase alignment. The cabinet is constructed of high quality 18&24mm plywood and finished with black epoxy paint. The front steel grill can be removed without any tools. Simply remove the foam cover and put the grill out of its sleeves by putting your finger in the holes. To rotate the horn, simply remove the bolts and put it in one of the four positions. Not that he horn carries a sticker showing the FOH and stage monitor position.

The MAXP-S comes with a 35mm tube adapter and five recessed areas for mounting the optional flying points.

Its multi-angle design allows you to use the MAXP-S in a variety of applications. By rotating the asymmetrical horn in one of the four positions, the MAXP-S can be configured as a front of house or a stage monitor system.

The MAXP-S and Subs work together with the MAXP-CT controller as a system. The single rack-unit, dual channel controller provides all the basic functions to get the maximum performance from the system. Though the MAXP-S are passively filtered loudspeakers, the MAXP-CT controller provides active protection for each individual driver offering maximum clarity of the voice, even at very high levels.



## IDEAL FOR

**Front of house  
or  
Stage monitor system**

**Touring  
Concert halls  
Clubs  
Discotheques  
Theatres**

## Special Features

Asymmetrical horn

high efficiency low

distortion

processor controlled

## Technical data

### MAXP-S, 2Way passive loudspeaker system

#### Acoustical specifications

**frequency response**  
55-18'000 Hz  $\pm$  3dB

**sensitivity (full space)**  
98 dB/W@1m

**max. SPL**  
125 dB cont. 131dB peak

**power handling**  
500W continuous, 1000W peak

**crossover frequency**  
1450Hz, 18dB per octave

#### Transducers description and electrical data

**LO section/500W**  
1 x 15", long excursion, low distortion cone driver

**HI section/80W**  
1" compression driver ferrofluid cooled,  
loaded with a 40°/90° x 60° asymmetrical horn

**system nominal impedance**  
8 ohms

**connectors**  
2 x Neutrik Speakon, model NL4MP  
(wired in parallel)  
1+: SP+ 1-: SP-  
2+: 2-: link

#### Mechanical data

**cabinet shape**  
multipurpose FOH or floor monitor

**mounting system**  
one 35mm K&M tube stand adapter

**optional rigging**  
5 Aircraft L-track fittings, top, bottom and back

**finish**  
black epoxy paint  
front metal grill covered with charcoal grey foam

**cabinet size (W x H x D)**  
750x450x365 mm

**weight**  
28kg

#### Options

Aircraft L-track fittings  
AP range of subwoofer system