

Product description

MAXP Series

MAXP-J, 2Way, passive loudspeaker

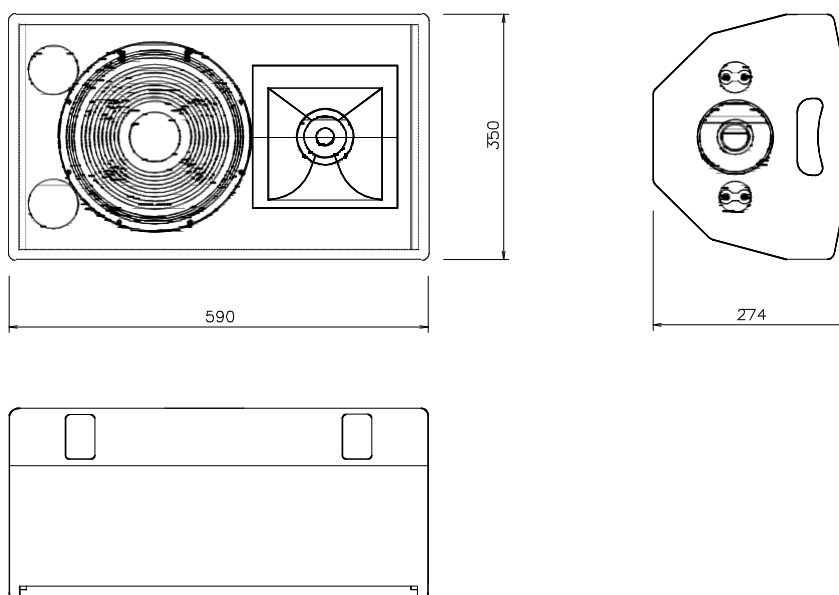
The MAXP Junior is a compact two-way passive system that employs a single AP-10" ferro fluid cooled low frequency driver mounted in a B-6 type vented enclosure. The high frequency unit is a one-inch driver coupled to a 40°/90°X60° AP asymmetrical horn. The system incorporates a low loss passive filter designed for flat frequency response and optimal phase alignment.

The cabinet is constructed of high quality 18&24mm plywood and finished with black epoxy paint. The front steel grill can be removed without any tools. Simply remove the foam cover and put the grill out of its sleeves by putting your finger in the holes. To rotate the horn, simply remove the bolts and put it in one of the four positions. Note that the horn carries a sticker showing the FOH and stage monitor position.

The MAXP-J comes with a 35mm tube adapter and five recessed areas for mounting the optional flying points.

It's multi-angle design allows you to use the MAXP-J in a variety of applications. By rotating the asymmetrical horn in one of the four positions, the MAXP-J can be configured as a front of house or a stage monitor system.

The MAXP-J and Subs work together with the MAXP-CT controller as a system. The single rack-unit, dual channel controller provides all the basic functions to get the maximum performance from the system. Though the MAXP-J are passively filtered loudspeakers, the MAXP-CT controller provides active protection for each individual driver offering maximum clarity of the voice, even at very high levels.



IDEAL FOR

**Front of house
or
Stage monitor system**

**Touring
Concert halls
Clubs
Discotheques
Theatres**

Special Features

Asymmetrical horn

high efficiency low

distortion

processor controlled

Technical data

MAXP-J, 2Way passive loudspeaker system

Acoustical specifications

frequency response
60-18'000 Hz \pm 3dB

sensitivity (full space)
96 dB/W@1m

max. SPL
119 dB cont. 125dB peak

power handling
200W continuous, 400W peak

crossover frequency
1950Hz, 18dB per octave

Transducers description and electrical data

LO section
1 x 10", long excursion, low distortion cone driver
ferrofluid cooled

HI section
1" compression driver,
loaded with a 40°/90° x 60°asymmetrical horn

system nominal impedance
8 ohms

connectors
2 x Neutrik Speakon, model NL4MP
(wired in parallel)
1+: SP+ 1-: SP-
2+: 2-: link

Mechanical data

cabinet shape
multipurpose FOH or floor monitor

mounting system
one 35mm K&M tube stand adapter

optional rigging
5 Aircraft L-track fittings, top, bottom and back

finish
black epoxy paint
front metal grill covered with charcoal grey foam

cabinet size (W x H x D)
590x350x274 mm

weight
18kg

Options

Aircraft L-track fittings
AP range of subwoofer system