

Product description

Touring systems series

SUB3 active subwoofer system

The SUB3 is a high power compact subwoofer cabinet designed to extend the frequency range and power bandwidth of Audio Performance full-range loudspeaker systems.

With a cut-off frequency of 32Hz, the SUB3 is made for applications where the reproduction of sub frequencies is of importance (music, sound effects). It consists of two long excursion 15-inch cone drivers mounted in a heavily braced vented enclosure capable of accommodating up to 1000W of power continuously.

It operates as a complete system with the SUB3 board fitted in the P113 processor.

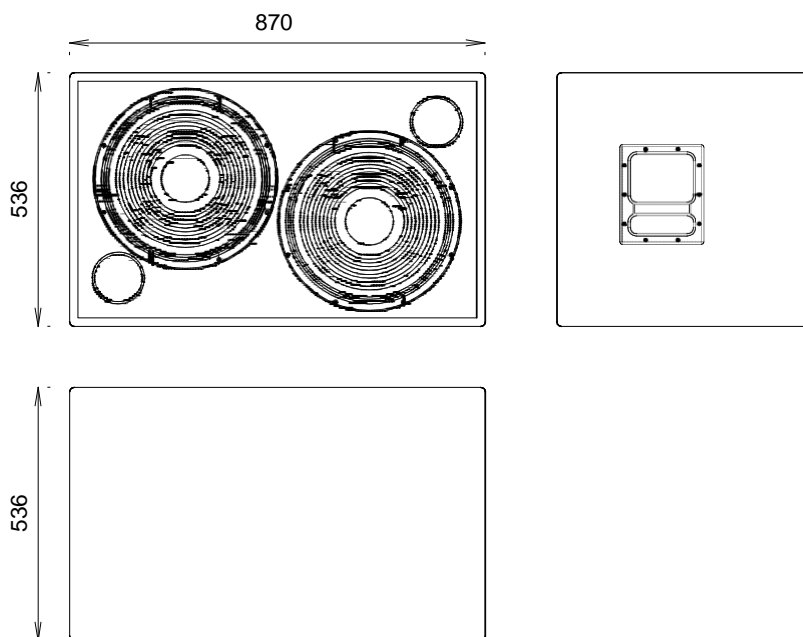
When stacking several cabinets is necessary, the direct radiating loading of the SUB3 provides the optimal use of the coupling effect to increase the low end sensitivity of a system.

The enclosure is black epoxy painted. The front is protected by a heavy duty metal grill covered with charcoal grey foam.

IDEAL FOR

Touring
Concert halls
Discotheques
Sound effects

The SUB3 subwoofer system is ideal for any professional application requiring accurate low frequency reinforcement at high sound pressure levels.



Special Features

high power handling

32Hz cut-off frequency

processor controlled

optimal LF coupling

Technical data

SUB3 active subwoofer system

Acoustical specifications with controller

frequency response

32 - 120 Hz,+/- 3db

recommended power amplifier rating

1000W/4 ohms

sensitivity (half space)

99 db/W@1m

crossover frequency to full range system

120Hz

max. SPL

129 db cont. 132 db peak

Transducers description and electrical data

transducer complement

2 x 15" long excursion cone drivers, ferrofluid cooled

connectors

1 x Neutrik Speakon, model NL4MP

system nominal impedance

2 x 8 ohms

1+: DRV1 + 1-: DRV1 -

2+: DRV2 + 2-: DRV2 -

Mechanical data

cabinet shape

rectangular

cabinet size (W x H x D)

870 x 536 x 536 mm

finish

black epoxy painted
front metal grill covered with charcoal grey foam

weight

52.5 kg